

BK3-NPT.. BK3-G..

3-weg bolkraan

Robinet à boisseau sphérique à
3-voies

3 way ball valve

| Referentie Référence Reference | DN mm | PN bar | LW mm | L mm | I mm | B mm | H mm | h mm | m mm | S mm | SW mm | K mm | i mm | d BSP |
|--------------------------------------|----------|-----------|----------|---------|---------|---------|---------|---------|---------|---------|----------|---------|---------|----------|
| BK3-G1/8 | 4 | 315 | 5 | 69 | 40 | 26 | 47 | 33 | 13,5 | 34,5 | 9 | 115 | 10 | 1/8" |
| BK3-G1/4 | 6 | 315 | 6 | 69 | 40 | 26 | 47 | 33 | 13,5 | 34,5 | 9 | 115 | 14 | 1/4" |
| BK3-G3/8 | 10 | 315 | 10 | 72 | 43 | 32 | 52 | 38 | 17,5 | 36 | 9 | 115 | 14 | 3/8" |
| BK3-G1/2 | 13 | 315 | 13 | 83 | 48 | 35 | 54 | 40 | 19 | 41,5 | 9 | 115 | 16,3 | 1/2" |
| BK3-G5/8 | 13 | 315 | 13 | 83 | 48 | 35 | 54 | 40 | 19 | 41,5 | 9 | 115 | 16 | 5/8" |
| BK3-G3/4 | 20 | 315 | 20 | 95 | 62 | 49 | 75 | 57 | 24,5 | 47,5 | 14 | 200 | 18 | 3/4" |
| BK3-G1 | 25 | 315 | 25 | 113 | 66 | 58 | 83 | 65 | 29,5 | 56,5 | 14 | 200 | 20 | 1" |
| BK3-G1 1/4 | 25 | 315 | 25 | 120 | 66 | 58 | 83 | 65 | 29,5 | 60 | 14 | 200 | 22 | 1 1/4" |
| BK3-G1 1/4 (32) | 32 | 350 | 30 | 111 | 81 | 78 | 106 | 85 | 39 | 55 | 17 | 320 | 22 | 1 1/4" |
| BK3-G1 1/2 | 40 | 420 | 38 | 130 | 104 | 106 | 127 | 106 | 53 | 65 | 17 | 320 | 24 | 1 1/2" |
| BK3-G2 | 50 | 350 | 48 | 150 | 118 | 116 | 137 | 116 | 58 | 75 | 17 | 320 | 26 | 2" |

| Referentie Référence Reference | DN mm | PN bar | LW mm | L mm | I mm | B mm | H mm | h mm | m mm | V mm | SW mm | K mm | i mm | d NPT |
|--------------------------------------|----------|-----------|----------|---------|---------|---------|---------|---------|---------|---------|----------|---------|---------|----------|
| BK3-NPT1/4 | 6 | 315 | 6 | 69 | 40 | 26 | 47 | 33 | 13,5 | 34,5 | 9 | 115 | 17 | 1/4" |
| BK3-NPT3/8 | 10 | 315 | 10 | 78 | 43 | 32 | 52 | 38 | 17,5 | 36 | 9 | 115 | 17,4 | 3/8" |
| BK3-NPT1/2 | 13 | 315 | 13 | 104 | 48 | 35 | 54 | 40 | 19 | 41,5 | 9 | 115 | 25 | 1/2" |
| BK3-NPT3/4 | 20 | 315 | 20 | 112 | 62 | 49 | 75 | 57 | 24,5 | 47,5 | 14 | 200 | 23,1 | 3/4" |
| BK3-NPT1 | 25 | 315 | 25 | 119 | 66 | 58 | 83 | 65 | 29,5 | 56,5 | 14 | 200 | 27,8 | 1" |
| BK3-NPT1 1/4 | 25 | 315 | 25 | 130 | 66 | 58 | 83 | 65 | 29,5 | 60 | 14 | 200 | 28,3 | 1 1/4" |
| BK3-NPT1 1/4 (32) | 32 | 350 | 30 | 120 | 81 | 78 | 106 | 85 | 39 | 60 | 17 | 320 | 28,3 | 1 1/4" |
| BK3-NPT1 1/2 | 40 | 420 | 38 | 140 | 104 | 106 | 127 | 106 | 53 | 70 | 17 | 320 | 28 | 1 1/2" |
| BK3-NPT2 | 50 | 420 | 48 | 150 | 118 | 106 | 137 | 116 | 58 | 75 | 17 | 320 | 30,3 | 2" |

om de versie met montagegaten te bestellen, voeg het suffix BG toe

afin de pouvoir commander les versions avec trous de montage; ajouter le suffix BG

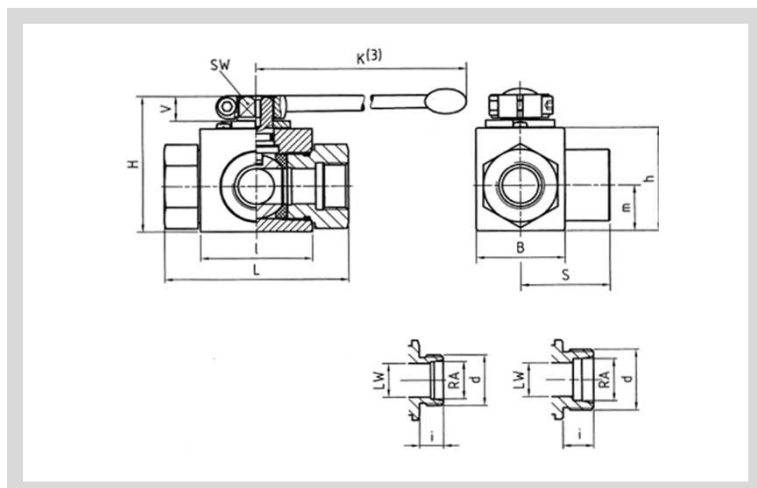
to order the version with mounting holes, please add suffix "-BG"

BK3-..S BK3-..L

3-ways bolkraan volgens DIN2353

Robinet à 3 voies, à boisseau sphérique selon DIN2353

3 way ball valve according to DIN2353



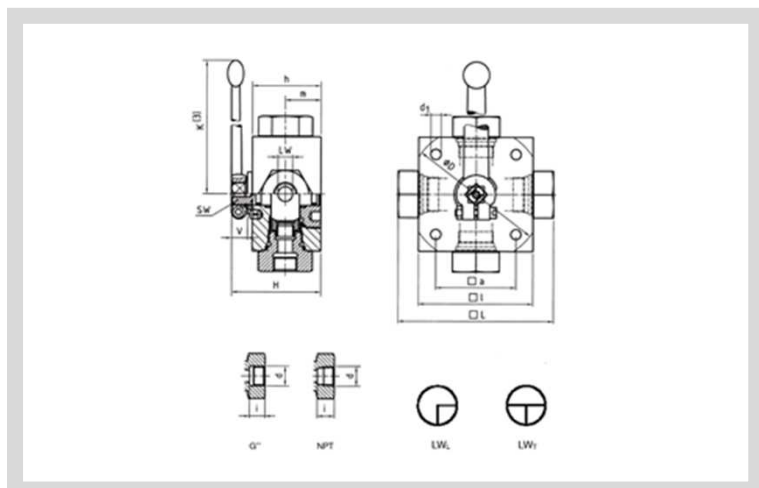
| Referentie Référence Reference | DN mm | PN bar | RA mm | LW mm | L mm | I mm | B mm | H mm | h mm | m mm | S mm | SW mm | K mm | i mm | d |
|--------------------------------------|----------|-----------|----------|----------|---------|---------|---------|---------|---------|---------|---------|----------|---------|---------|---------|
| BK3-6L | 4 | 315 | 6 | 5 | 67 | 40 | 26 | 47 | 33 | 13,5 | 33,5 | 9 | 115 | 10 | M12x1,5 |
| BK3-8L | 6 | 315 | 8 | 6 | 67 | 40 | 26 | 47 | 33 | 13,5 | 33,5 | 9 | 115 | 10 | M14x1,5 |
| BK3-10L | 8 | 315 | 10 | 8 | 74 | 40 | 26 | 47 | 33 | 13,5 | 37 | 9 | 115 | 11 | M16x1,5 |
| BK3-12L | 10 | 315 | 12 | 10 | 74 | 43 | 32 | 52 | 38 | 17,5 | 37 | 9 | 115 | 11 | M18x1,5 |
| BK3-15L | 13 | 315 | 15 | 13 | 82 | 48 | 35 | 54 | 40 | 19 | 41 | 9 | 115 | 12 | M22x1,5 |
| BK3-18L | 13 | 315 | 18 | 13 | 82 | 48 | 35 | 54 | 40 | 19 | 41 | 9 | 115 | 12 | M26x1,5 |
| BK3-22L | 20 | 315 | 22 | 20 | 101 | 62 | 49 | 75 | 57 | 24,5 | 50,5 | 14 | 200 | 14 | M30x2 |
| BK3-28L | 25 | 315 | 28 | 25 | 108 | 66 | 58 | 83 | 65 | 29,5 | 54 | 14 | 200 | 14 | M36x2 |
| BK3-35L | 25 | 315 | 35 | 25 | 112 | 66 | 58 | 83 | 65 | 29,5 | 56 | 14 | 200 | 16 | M45x2 |
| BK3-35L(32) | 32 | 350 | 35 | 30 | 136 | 81 | 78 | 106 | 85 | 39 | 68 | 17 | 320 | 16 | M45x2 |
| BK3-42L | 40 | 350 | 42 | 38 | 162 | 104 | 106 | 127 | 106 | 53 | 81 | 17 | 320 | 16 | M52x2 |

| Referentie Référence Reference | DN mm | PN bar | RA mm | LW mm | L mm | I mm | B mm | H mm | h mm | m mm | V mm | SW mm | K mm | i mm | d |
|--------------------------------------|----------|-----------|----------|----------|---------|---------|---------|---------|---------|---------|---------|----------|---------|---------|----------|
| BK3-8S | 4 | 315 | 8 | 5 | 73 | 40 | 26 | 47 | 33 | 13,5 | 36,5 | 9 | 115 | 12 | M 16x1,5 |
| BK3-10S | 6 | 315 | 10 | 6 | 73 | 40 | 26 | 47 | 33 | 13,5 | 36,5 | 9 | 115 | 12 | M 18x1,5 |
| BK3-12S | 8 | 315 | 12 | 8 | 76 | 40 | 26 | 47 | 33 | 13,5 | 38 | 9 | 115 | 12 | M 20x1,5 |
| BK3-14S | 10 | 315 | 14 | 10 | 80 | 43 | 32 | 52 | 38 | 17,5 | 40 | 9 | 115 | 14 | M 22x1,5 |
| BK3-16S | 13 | 315 | 16 | 13 | 86 | 48 | 35 | 54 | 40 | 19 | 43 | 9 | 115 | 14 | M 24x1,5 |
| BK3-20S | 13 | 315 | 20 | 13 | 90 | 48 | 35 | 54 | 40 | 19 | 45 | 9 | 115 | 16 | M 30x2 |
| BK3-25S | 20 | 315 | 25 | 20 | 109 | 62 | 49 | 75 | 57 | 24,5 | 54,5 | 14 | 200 | 18 | M 36x2 |
| BK3-30S | 25 | 315 | 30 | 25 | 120 | 66 | 58 | 83 | 65 | 29,5 | 60 | 14 | 200 | 20 | M 42x2 |
| BK3-38S | 25 | 315 | 38 | 25 | 124 | 66 | 58 | 83 | 65 | 29,5 | 62 | 14 | 200 | 22 | M 52x2 |
| BK3-38S(32) | 32 | 350 | 38 | 30 | 148 | 81 | 78 | 106 | 85 | 39 | 74 | 17 | 320 | 22 | M 52x2 |

om de versie met montagegaten te bestellen, voeg het suffix BG toe

afin de pouvoir commander la version avec trous de montage, ajouter le suffix BG

to order the version with mounting holes, please add suffix "-BG"



3KH-NPT.. 3KH-G..

3-wegs bolkraan

Robinet à boisseau sphérique à
3-voies

3 way ball valve

| Referentie Référence Reference | DN mm | PN bar | LW mm | L mm | l mm | a mm | H mm | h mm | m mm | V mm | SW mm | K mm | i mm | d BSP |
|--------------------------------------|----------|-----------|----------|---------|---------|---------|---------|---------|---------|---------|----------|---------|---------|----------|
| 3KH-G1/8 | 4 | 500 | 5 | 100 | 70 | 55 | 58 | 40 | 22 | 13 | 12 | 160 | 10 | 1/8" |
| 3KH-G1/4 | 6 | 500 | 5 | 100 | 70 | 55 | 58 | 40 | 22 | 13 | 12 | 160 | 14 | 1/4" |
| 3KH-G3/8 | 10 | 500 | 8 | 115 | 80 | 65 | 68 | 50 | 27 | 14 | 14 | 200 | 14 | 3/8" |
| 3KH-G1/2 | 13 | 500 | 13 | 136 | 100 | 80 | 78 | 60 | 31 | 14 | 14 | 200 | 16,3 | 1/2" |
| 3KH-G5/8 | 16 | 400 | 13 | 139 | 100 | 80 | 78 | 60 | 31 | 14 | 14 | 200 | 18 | 5/8" |
| 3KH-G3/4 | 20 | 315 | 18 | 154 | 113 | 85 | 88 | 67 | 36,5 | 16,5 | 17 | 320 | 18 | 3/4" |
| 3KH-G1 | 25 | 315 | 23 | 172 | 119 | 85 | 103 | 82 | 47,5 | 16,5 | 17 | 320 | 20 | 1" |
| 3KH-G1 1/4 | 25/32 | 315 | 23 | 180 | 119 | 85 | 103 | 82 | 47,5 | 16,5 | 17 | 320 | 22 | 1 1/4" |
| 3KH-G1 1/2 | 25/40 | 250 | 23 | 180 | 119 | 85 | 103 | 82 | 47,5 | 16,5 | 17 | 320 | 24 | 1 1/2" |

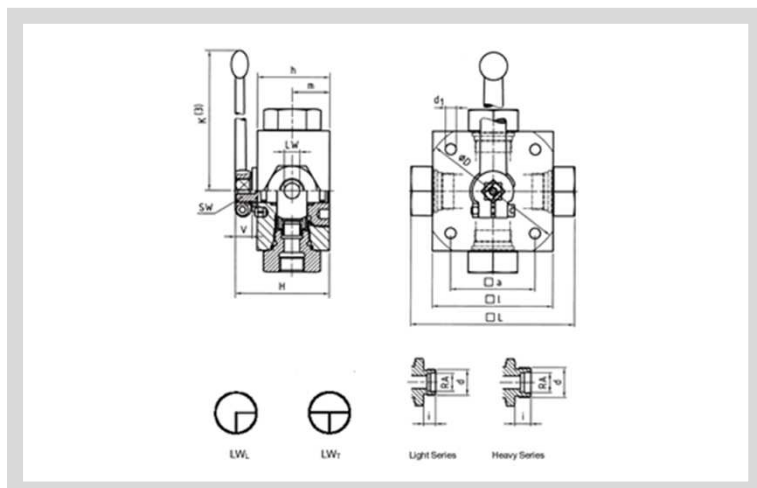
| Referentie Référence Reference | DN mm | PN bar | LW mm | L mm | l mm | a mm | H mm | h mm | m mm | V mm | SW mm | K mm | i mm | d NPT |
|--------------------------------------|----------|-----------|----------|---------|---------|---------|---------|---------|---------|---------|----------|---------|---------|----------|
| 3KH-NPT1/8 | 4 | 500 | 5 | 100 | 70 | 55 | 58 | 40 | 22 | 13 | 12 | 160 | 13 | 1/8" |
| 3KH-NPT1/4 | 6 | 500 | 5 | 100 | 70 | 55 | 58 | 40 | 22 | 13 | 12 | 160 | 17 | 1/4" |
| 3KH-NPT3/8 | 10 | 500 | 8 | 115 | 80 | 65 | 68 | 50 | 27 | 14 | 14 | 200 | 17,4 | 3/8" |
| 3KH-NPT1/2 | 13 | 400 | 13 | 160 | 100 | 80 | 78 | 60 | 31 | 14 | 14 | 200 | 25 | 1/2" |
| 3KH-NPT3/4 | 20 | 315 | 18 | 164 | 113 | 85 | 88 | 67 | 36,5 | 16,5 | 17 | 320 | 23,1 | 3/4" |
| 3KH-NPT1 | 25 | 315 | 23 | 186 | 119 | 85 | 103 | 82 | 47,5 | 16,5 | 17 | 320 | 27,8 | 1" |
| 3KH-NPT1 1/4 | 25/32 | 315 | 23 | 186 | 119 | 85 | 103 | 82 | 47,5 | 16,5 | 17 | 320 | 28,3 | 1 1/4" |
| 3KH-NPT1 1/2 | 25/40 | 250 | 23 | 186 | 119 | 85 | 103 | 82 | 47,5 | 16,5 | 17 | 320 | 28 | 1 1/2" |

3KH-..S 3KH-..L

3-waysbolkraan volgens DIN2353

Robinet à boisseau sphérique à 3-voies selon DIN2353

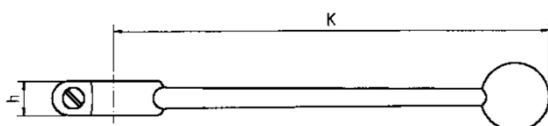
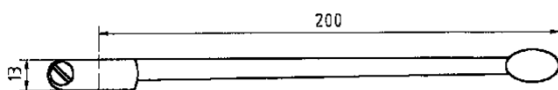
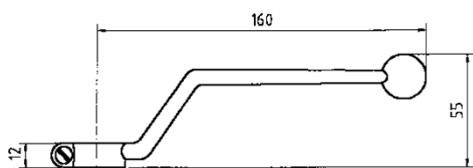
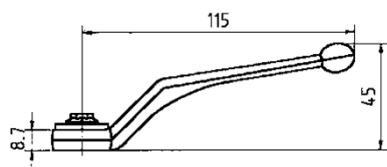
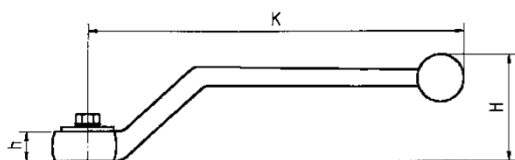
3 way ball valve
according to DIN2353



| Referentie Référence Reference | DN mm | PN bar | RA mm | LW mm | L mm | l mm | a mm | H mm | h mm | m mm | V mm | SW mm | K mm | i mm | d |
|--------------------------------------|----------|-----------|----------|----------|---------|---------|---------|---------|---------|---------|---------|----------|---------|---------|---------|
| 3KH-6L | 4 | 500 | 6 | 5 | 105 | 70 | 55 | 58 | 40 | 22 | 13 | 12 | 160 | 10 | M12x1,5 |
| 3KH-8L | 6 | 500 | 8 | 5 | 105 | 70 | 55 | 58 | 40 | 22 | 13 | 12 | 160 | 10 | M14x1,5 |
| 3KH-10L | 8 | 500 | 10 | 8 | 114 | 80 | 65 | 68 | 50 | 27 | 14 | 14 | 200 | 11 | M16x1,5 |
| 3KH-12L | 10 | 500 | 12 | 8 | 114 | 80 | 65 | 68 | 50 | 27 | 14 | 14 | 200 | 11 | M18x1,5 |
| 3KH-15L | 13 | 500 | 15 | 13 | 137 | 100 | 80 | 78 | 60 | 31 | 14 | 14 | 200 | 12 | M22x1,5 |
| 3KH-18L | 16 | 400 | 18 | 13 | 137 | 100 | 80 | 78 | 60 | 31 | 14 | 14 | 200 | 12 | M26x1,5 |
| 3KH-22L | 20 | 315 | 22 | 18 | 152 | 113 | 85 | 88 | 67 | 36,5 | 16,5 | 17 | 320 | 14 | M30x2 |
| 3KH-28L | 25 | 315 | 28 | 23 | 166 | 119 | 85 | 103 | 82 | 47,5 | 16,5 | 17 | 320 | 14 | M36x2 |

| Referentie Référence Reference | DN mm | PN bar | RA mm | LW mm | L mm | l mm | a mm | H mm | h mm | m mm | V mm | SW mm | K mm | i mm | d |
|--------------------------------------|----------|-----------|----------|----------|---------|---------|---------|---------|---------|---------|---------|----------|---------|---------|---------|
| 3KH-8S | 4 | 500 | 8 | 5 | 105 | 70 | 55 | 58 | 40 | 22 | 13 | 12 | 160 | 12 | M16x1,5 |
| 3KH-10S | 6 | 500 | 10 | 5 | 105 | 70 | 55 | 58 | 40 | 22 | 13 | 12 | 160 | 12 | M18x1,5 |
| 3KH-12S | 8 | 500 | 12 | 8 | 116 | 80 | 65 | 68 | 50 | 27 | 14 | 14 | 200 | 12 | M20x1,5 |
| 3KH-14S | 10 | 500 | 14 | 8 | 120 | 80 | 65 | 68 | 50 | 27 | 14 | 14 | 200 | 14 | M22x1,5 |
| 3KH-16S | 13 | 500 | 16 | 13 | 141 | 100 | 80 | 78 | 60 | 31 | 14 | 14 | 200 | 14 | M24x1,5 |
| 3KH-20S | 16 | 400 | 20 | 13 | 145 | 100 | 80 | 78 | 60 | 31 | 14 | 14 | 200 | 16 | M30x2 |
| 3KH-25S | 20 | 315 | 25 | 18 | 160 | 113 | 85 | 88 | 67 | 36,5 | 16,5 | 17 | 320 | 18 | M36x2 |
| 3KH-30S | 25 | 315 | 30 | 23 | 176 | 119 | 85 | 103 | 82 | 47,5 | 16,5 | 17 | 320 | 20 | M42x2 |

HENDEL-..



| SW | K | h | H | Referentie Référence Reference |
|------------------------------------|-----|------|----|--------------------------------------|
| 9 | 115 | 10 | 47 | HENDEL-09-St |
| 14 | 173 | 12,5 | 59 | HENDEL-14-St |
| 17 | 306 | 16 | 80 | HENDEL-17-St |
| Standaard versie: materiaal: staal | | | | |
| Version standard: matériel: acier | | | | |
| Standard version: material: steel | | | | |

| SW | K | h | H | Referentie Référence Reference |
|-----------------|-----|-----|----|--------------------------------------|
| 9 | 115 | 8,7 | 45 | HENDEL-09-Zn |
| Materiaal: zink | | | | |
| Matériel: zinc | | | | |
| Material: zinc | | | | |

| SW | K | h | H | Referentie Référence Reference |
|--|-----|----|----|--------------------------------------|
| 12 | 160 | 12 | 55 | HENDEL-12-AI |
| Standaard uitvoering: materiaal: aluminium | | | | |
| Version standard: matériel: aluminium | | | | |
| Standard version: material: aluminium | | | | |

| SW | K | h | H | Referentie Référence Reference |
|-----------------|-----|----|---|--------------------------------------|
| 14 | 200 | 13 | - | HENDEL-14-Zn |
| Materiaal: zink | | | | |
| Matériel: zinc | | | | |
| Material: zinc | | | | |

| SW | K | H | H | Referentie Référence Reference |
|----------------------|-----|----|---|--------------------------------------|
| 9 | 150 | 11 | - | HENDEL-09-AI |
| 14 | 200 | 12 | - | HENDEL-14-AI |
| 17 | 320 | 16 | - | HENDEL-17-AI |
| Materiaal: aluminium | | | | |
| Matériel: aluminium | | | | |
| Material: aluminium | | | | |