

Schroefsnelkoppelingen – 62 reeks (ISO 14541) Raccords rapides à visser – 62 série (ISO 14541) Threaded quick release couplings – 62 series (ISO 14541)

Schroefsnelkoppelingen:

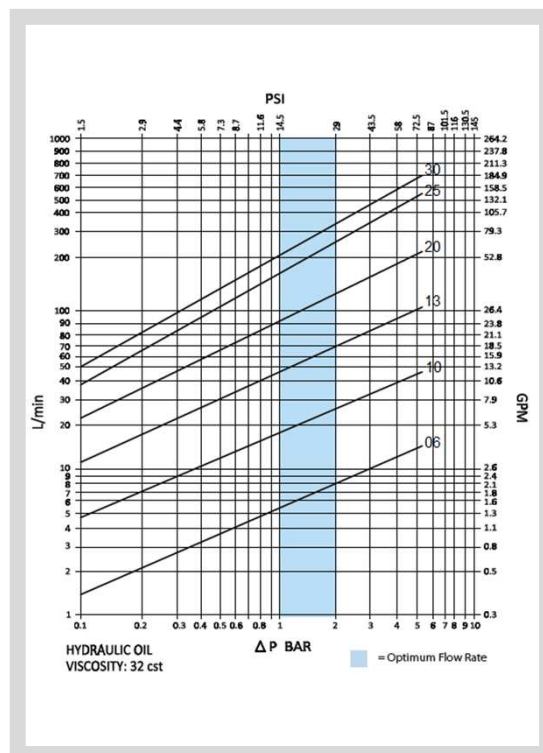
- ~ Koppelen onder druk: tot een druk van 50bar toegestaan.
- ~ Ontkoppelen onder druk = **VERBODEN!**
- ~ De dichtingen zijn makkelijk te vervangen dankzij het specifieke ontwerp van de koppeling
- ~ Uitgevoerd in thermisch behandeld koolstofstaal, verzinkt en dichtingen uit NBR (-25°C tot +100°C)

Raccords rapide à visser:

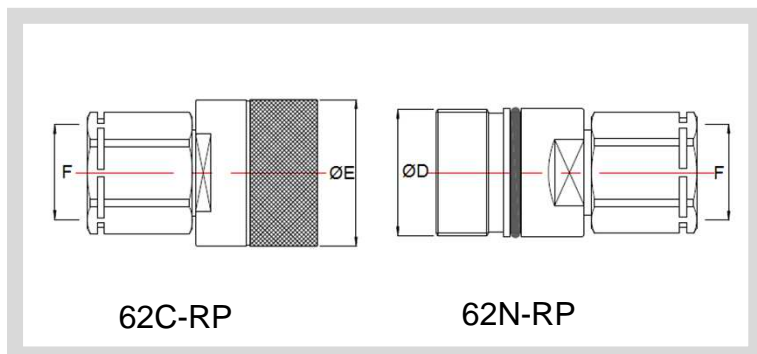
- ~ Connexion sous pression est autorisée jusqu'au 50bar
- ~ Déconnexion sous pression = **INTERDIT!**
- ~ Les joints sont facilement remplaçables grâce à la construction spécifique du coupleur
- ~ Fabriqué en acier carbone traité à chaud, galvanisé et joints NBR (-25°C à +100°C)

Threaded quick release couplings:


- ~ Connection under pressure is allowed till 50bar
- ~ Disconnection under pressure = **FORBIDDEN!**
- ~ The seals can easily be replaced thanks to the construction of the coupling
- ~ Manufactured in carbon steel, heat treated, galvanized, NBR seals (-25°C to +100°C)




62..RP



VERZINKT STAAL (*) | NBR
ACIER ZINGUÉ (*) | NBR
GALVANISED CARBON STEEL (*) | NBR

 NBR: -25°C TOT +100°C
VITON: -25°C TOT +200°C


Vrouwelijk Femelle Female	Mannelijk Mâle Male	DN	F (BSP) (**)	ØE	D	
62C44RP	62N44RP	6	1/4"	35	M24x2	450
62C64RP	62N64RP	10	1/4"	34	M28x2	400
62C66RP	62N66RP	10	3/8"	34	M28x2	400
62C86RP	62N86RP	13	3/8"	42	M36x2	400
62C88RP	62N88RP	13	1/2"	42	M36x2	400
62C1208RP	62N1208RP	20	1/2"	47,5	M42x2	300
62C1212RP	62N1212RP	20	3/4"	47,5	M42x2	300
62C1616RP	62N1616RP	25	3/4"	55(HEX)	M48x3	300
62C1616RP	62N1616RP	25	1"	55(HEX)	M48x3	300
62C2020RP	62N2020RP	32	1.1/4"	80(HEX)	M70x3	300

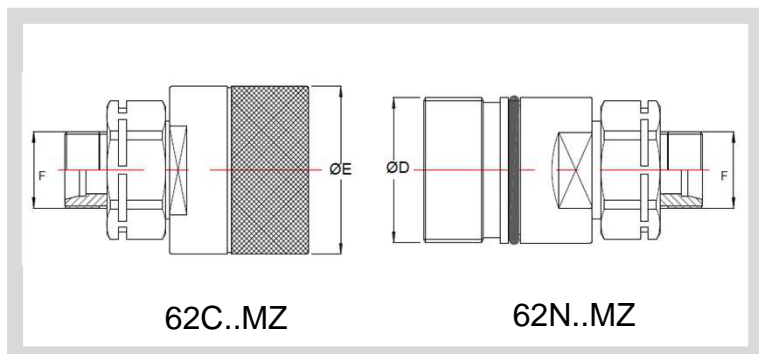
(*) Voor inox versie : 62.. wordt S62
Version inoxydable : 62.. devient S62..
Stainless steel version : 62.. becomes S62..

(**) Voor NPT aansluiting : -RP wordt -F
Filet NPT : -RP devient -F
NPT thread : -RP is replaced by -F

62..MZ


VERZINKT STAAL | NBR
ACIER ZINGUÉ | NBR
GALVANISED CARBON STEEL | NBR

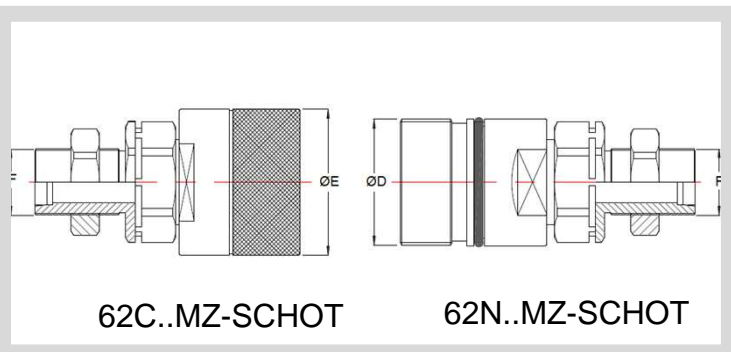
 NBR: -25°C TOT +100°C



62C..MZ

62N..MZ

Vrouwelijk Femelle Female	Mannelijk Mâle Male	DN	F	ØE	ØD	
62C48MZ14A	62N48MZ14A	6	8L	35	M24x2	450
62C66MZ12A	62N66MZ12A	10	6L	34	M28x2	400
62C68MZ14A	62N68MZ14A	10	8L	34	M28x2	400
62C610MZ16A	62N610MZ16A	10	10L	34	M28x2	400
62C612MZ18A	62N612MZ18A	10	12L	34	M28x2	400
62C68MZ16A	62N68MZ16A	10	8S	34	M28x2	400
62C610MZ18A	62N610MZ18A	10	10S	34	M28x2	400
62C612MZ20A	62N612MZ20A	10	12S	34	M28x2	400
62C88MZ14A	62N88MZ14A	13	8L	42	M36x2	400
62C810MZ16A	62N810MZ16A	13	10L	42	M36x2	400
62C812MZ18A	62N812MZ18A	13	12L	42	M36x2	400
62C815MZ22A	62N815MZ22A	13	15L	42	M36x2	400
62C818MZ26A	62N818MZ26A	13	18L	42	M36x2	400
62C810MZ18A	62N810MZ18A	13	10S	42	M36x2	400
62C812MZ20A	62N812MZ20A	13	12S	42	M36x2	400
62C814MZ22A	62N814MZ22A	13	14S	42	M36x2	400
62C816MZ24A	62N816MZ24A	13	16S	42	M36x2	400
62C820MZ30B	62N820MZ30B	13	20S	42	M36x2	400
62C1212MZ18A	62N1212MZ18A	20	12L	47,5	M42x2	300
62C1215MZ22A	62N1215MZ22A	20	15L	47,5	M42x2	300
62C1218MZ26A	62N1218MZ26A	20	18L	47,5	M42x2	300
62C1222MZ30B	62N1222MZ30B	20	22L	47,5	M42x2	300
62C1210MZ18A	62N1210MZ18A	20	10S	47,5	M42x2	300
62C1212MZ20A	62N1212MZ20A	20	12S	47,5	M42x2	300
62C1214MZ22A	62N1214MZ22A	20	14S	47,5	M42x2	300
62C1216MZ24A	62N1216MZ24A	20	16S	47,5	M42x2	300
62C1220MZ30B	62N1220MZ30B	20	20S	47,5	M42x2	300
62C1618MZ26A	62N1618MZ26A	25	18L	55(HEX)	M48x3	300
62C1622MZ30B	62N1622MZ30B	25	22L	55(HEX)	M48x3	300
62C1628MZ36B	62N1628MZ36B	25	28L	55(HEX)	M48x3	300
62C1635MZ45B	62N1635MZ45B	25	35L	55(HEX)	M48x3	300
62C1620MZ30B	62N1620MZ30B	25	20S	55(HEX)	M48x3	300
62C1625MZ36B	62N1625MZ36B	25	25S	55(HEX)	M48x3	300
62C1630MZ42B	62N1630MZ42B	25	30S	55(HEX)	M48x3	300
62C1638MZ52B	62N1638MZ52B	25	38S	55(HEX)	M48x3	300




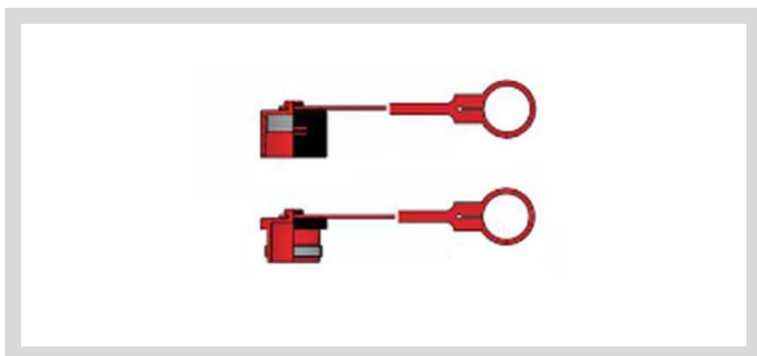
62..MZ-SCHOT

VERZINKT STAAL | NBR
ACIER ZINGUÉ | NBR
GALVANISED CARBON STEEL | NBR



NBR: -25°C TOT +100°C

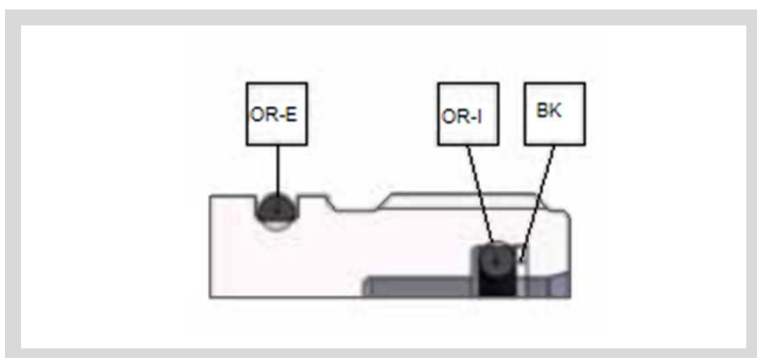
Vrouwelijk Femelle Female	Mannelijk Mâle Male	DN	F	ØE	ØD	
62C48MZ14A-SCHOT	62N48MZ14A-SCHOT	6	8L	35	M24x2	450
62C66MZ12A-SCHOT	62N66MZ12A-SCHOT	10	6L	34	M28x2	400
62C68MZ14A-SCHOT	62N68MZ14A-SCHOT	10	8L	34	M28x2	400
62C610MZ16A-SCHOT	62N610MZ16A-SCHOT	10	10L	34	M28x2	400
62C612MZ18A-SCHOT	62N612MZ18A-SCHOT	10	12L	34	M28x2	400
62C68MZ16A-SCHOT	62N68MZ16A-SCHOT	10	8S	34	M28x2	400
62C610MZ18A-SCHOT	62N610MZ18A-SCHOT	10	10S	34	M28x2	400
62C612MZ20A-SCHOT	62N612MZ20A-SCHOT	10	12S	34	M28x2	400
62C88MZ14A-SCHOT	62N88MZ14A-SCHOT	13	8L	42	M36x2	400
62C810MZ16A-SCHOT	62N810MZ16A-SCHOT	13	10L	42	M36x2	400
62C812MZ18A-SCHOT	62N812MZ18A-SCHOT	13	12L	42	M36x2	400
62C815MZ22A-SCHOT	62N815MZ22A-SCHOT	13	15L	42	M36x2	400
62C818MZ26A-SCHOT	62N818MZ26A-SCHOT	13	18L	42	M36x2	400
62C810MZ18A-SCHOT	62N810MZ18A-SCHOT	13	10S	42	M36x2	400
62C812MZ20A-SCHOT	62N812MZ20A-SCHOT	13	12S	42	M36x2	400
62C814MZ22A-SCHOT	62N814MZ22A-SCHOT	13	14S	42	M36x2	400
62C816MZ24A-SCHOT	62N816MZ24A-SCHOT	13	16S	42	M36x2	400
62C820MZ30B-SCHOT	62N820MZ30B-SCHOT	13	20S	42	M36x2	400
62C1212MZ18A-SCHOT	62N1212MZ18A-SCHOT	20	12L	47,5	M42x2	300
62C1215MZ22A-SCHOT	62N1215MZ22A-SCHOT	20	15L	47,5	M42x2	300
62C1218MZ26A-SCHOT	62N1218MZ26A-SCHOT	20	18L	47,5	M42x2	300
62C1222MZ30B-SCHOT	62N1222MZ30B-SCHOT	20	22L	47,5	M42x2	300
62C1210MZ18A-SCHOT	62N1210MZ18A-SCHOT	20	10S	47,5	M42x2	300
62C1212MZ20A-SCHOT	62N1212MZ20A-SCHOT	20	12S	47,5	M42x2	300
62C1214MZ22A-SCHOT	62N1214MZ22A-SCHOT	20	14S	47,5	M42x2	300
62C1216MZ24A-SCHOT	62N1216MZ24A-SCHOT	20	16S	47,5	M42x2	300
62C1220MZ30B-SCHOT	62N1220MZ30B-SCHOT	20	20S	47,5	M42x2	300
62C1618MZ26A-SCHOT	62N1618MZ26A-SCHOT	25	18L	55(HEx)	M48x3	300
62C1622MZ30B-SCHOT	62N1622MZ30B-SCHOT	25	22L	55(HEx)	M48x3	300
62C1628MZ36B-SCHOT	62N1628MZ36B-SCHOT	25	28L	55(HEx)	M48x3	300
62C1635MZ45B-SCHOT	62N1635MZ45B-SCHOT	25	35L	55(HEx)	M48x3	300
62C1620MZ30B-SCHOT	62N1620MZ30B-SCHOT	25	20S	55(HEx)	M48x3	300
62C1625MZ36B-SCHOT	62N1625MZ36B-SCHOT	25	25S	55(HEx)	M48x3	300
62C1630MZ42B-SCHOT	62N1630MZ42B-SCHOT	25	30S	55(HEx)	M48x3	300
62C1328MZ52B-SCHOT	62N1638MZ52B-SCHOT	25	38S	55(HEx)	M48x3	300



DUST CAPS : 62N..C

DUST PLUGS : 62C..P

Plug	Cap	DN				
62C4P	62N4C	6				
62C6P	62N6C	10				
62C8P	62N8C	13				
62C12P	62N12C	20				
62C16P	62N16C	25				



OR-..(SERIE62N)

OR E = O-RING (NBR)
OR I = O-RING (NBR)
BK = BACK-UP RING (PTFE)

Set	DN				
OR-1/4"(SERIE62N)	6				
OR-1/2"(SERIE62N)	13				
OR-3/4"(SERIE62N)	20				
OR-1"(SERIE62N)	25				
OR-1.1/4"(SERIE62N)	32				
OR-1.1/2"(SERIE62N)	40				